

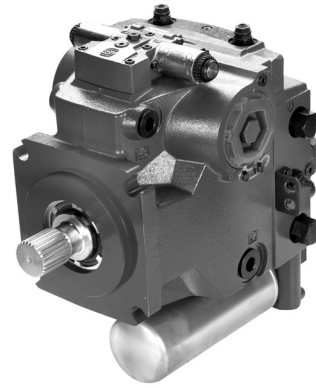
H1-The new Generation of Hydrostatics 147/165 cm³ Single Pumps

Introduction

For more than 40 years, Sauer-Danfoss has been developing state-of-the-art components and systems for mobile machinery used in off-highway operations around the world. We have become a preferred supplier by offering the best of what really matters: The hardware inside your vehicle application. H1 - our new generation of servo-controlled hydrostatic pumps - is no exception.

The H1 range is built around an advanced electrical control and available in a wide range of displacements. It is designed for quality and reliability and offers expanded functionality, greater total efficiency, and easy installation.

All H1 control and sensor options are PLUS+1 Compliant. PLUS+1 allows you to rapidly develop and customize electronic machine control. It opens up the future by combining machine controls and diagnostics in an integrated operating network.



*H1 Axial piston pump
Size 147/165 single pump*

Features

- **Designed for quality and reliability**
 - One design concept
 - Single piece swash plate
- **Installation and packaging benefits**
 - Length optimized pump
 - Minimum one clean side
 - Higher corner power
 - Higher package size ratio
 - Standardized connector interface
 - Expanded functionality through PLUS+1
- **Optimized for electrical control**
 - Electro-hydraulic control options include Electrical Displacement Control (EDC)
 - Common control across entire family
- **Expanded functionality**
 - Optional Integrated Speed Limitation valving
 - PLUS+1 Compliant control and sensor options
 - Integral filtration available with integrated filter bypass sensors and switch
- **Greater total efficiency**
 - Minimized control losses
 - Improved charge circuit
 - Lower control pressure for less power consumption

Local Address:

Technical Specifications

Physical properties

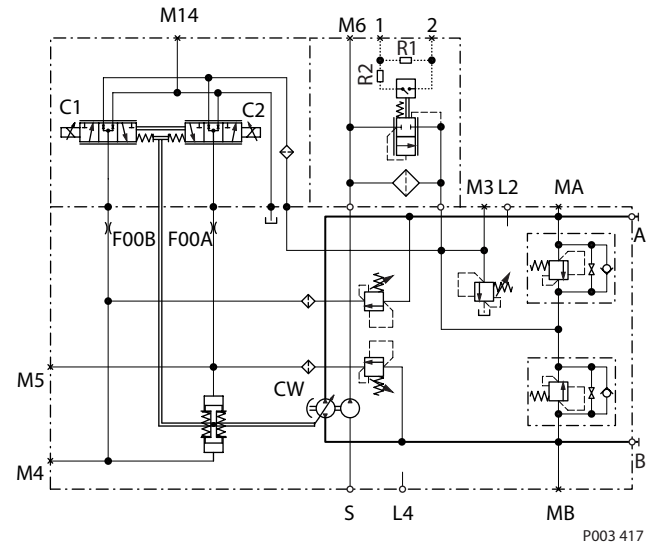
Features	Unit	Sizes	
		147	165
Displacement	cm ³ [in ³]	147.2 [8.98]	165.1 [10.08]
Weight (without PTO and filter)	kg [lb]	96 [211]	

Operating parameters

Input speed	Minimum	min-1 (rpm)	500	
	Rated		3000	
	Maximum		3100	
System pressure	Maximum working pressure*	bar [psi]	450 [6525]	420 [6090]
	Maximum pressure		480 [6960]	450 [6525]
	Minimum low loop		10 [150]	
Case pressure	Rated	bar [psi]	3.0 [40]	
	Maximum		5.0 [75]	

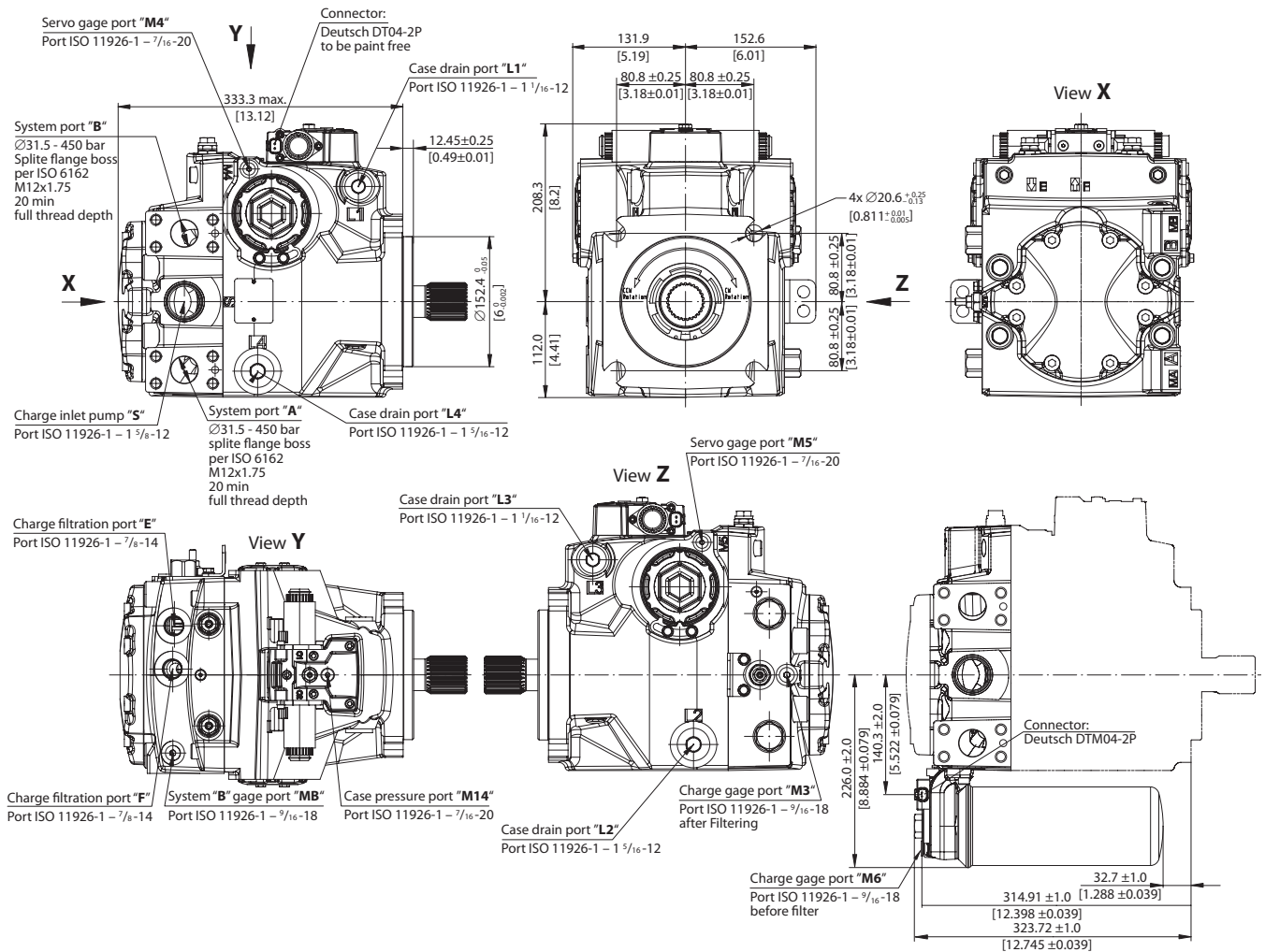
* Applied pressures above maximum working pressure requires Sauer-Danfoss application approval.

Schematic



Dimensions

T301071E



Optional: Integrated charge pressure filtration