



H1-The new Generation of Hydrostatics 089/100 cm³ Single Pumps

Introduction

For more than 40 years, Sauer-Danfoss has been developing state-of-the-art components and systems for mobile machinery used in off-highway operations around the world. We have become a preferred supplier by offering the best of what really matters: The hardware inside your vehicle application. H1 - our new generation of servo-controlled hydrostatic pumps - is no exception.

The H1 range is built around an advanced electrical control and available in a wide range of displacements. It is designed for quality and reliability and offers expanded functionality, greater total efficiency, and easy installation.

All H1 control and sensor options are PLUS+1 Compliant. PLUS+1 allows you to rapidly develop and customize electronic machine control. It opens up the future by combining machine controls and diagnostics in an integrated operating network.



*H1 Axial piston pump
Size 089/100 single pump*

Features

- **Designed for quality and reliability**
 - One design concept
 - Single piece swash plate
- **Installation and packaging benefits**
 - Length optimized pump
 - Minimum one clean side
 - Higher corner power
 - Higher package size ratio
 - Standardized connector interface
 - Expanded functionality through PLUS+1
- **Optimized for electrical control**
 - Electro-hydraulic control options include Electrical Displacement Control (EDC)
 - Forward-Neutral-Reverse (FNR) and Non-Feedback Proportional Electric (NFPE)
 - Common control across entire family
- **Expanded functionality**
 - PLUS+1 Compliant control and sensor options
 - Integral filtration available with integrated filter bypass sensors and switch
- **Greater total efficiency**
 - Minimized control losses
 - Improved charge circuit
 - Lower control pressure for less power consumption

Local Address:

Technical Specifications

Physical properties

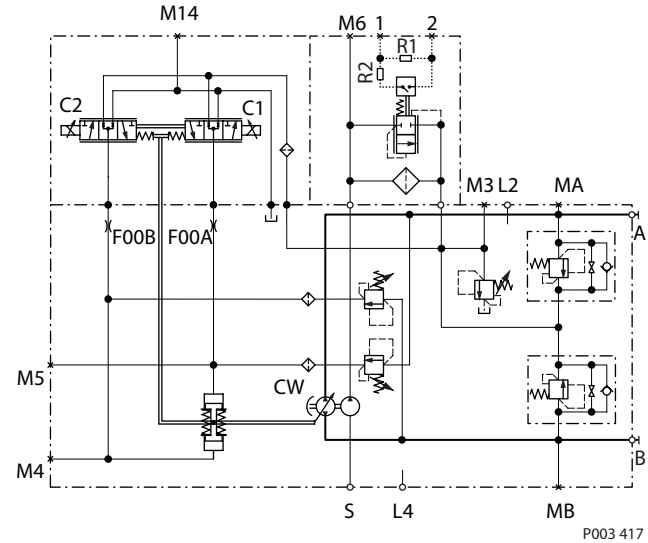
| Features | Unit | Sizes | |
|---------------------------------|------------------------------------|-------------|--------------|
| | | 089 | 100 |
| Displacement | cm ³ [in ³] | 89.2 [5.44] | 101.7 [6.21] |
| Weight (without PTO and filter) | kg [lb] | 62 [137] | |

Operating parameters

| | | | | |
|-----------------|---------------------------|-------------|------------|------------|
| Input speed | Minimum | min-1 (rpm) | 500 | |
| | Rated | | 3000 | |
| | Maximum | | 3700 | |
| System pressure | Maximum working pressure* | bar [psi] | 450 [6525] | 420 [6090] |
| | Maximum pressure | | 480 [6960] | 450 [6525] |
| | Minimum low loop | | 10 [150] | |
| Case pressure | Rated | bar [psi] | 3.0 [40] | |
| | Maximum | | 5.0 [75] | |

* Applied pressures above maximum working pressure requires Sauer-Danfoss application approval.

Schematic



Dimensions

