

COMPRESSED AIR BALL FLOAT TRAPS FA32 (Carbon Steel)

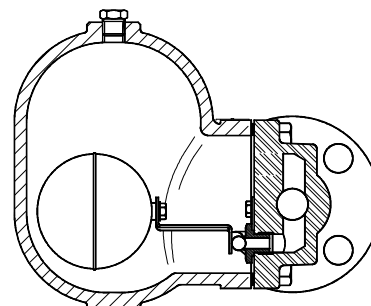
DESCRIPTION

FA32 series compressed air float traps are specially designed for draining water from high pressure compressed air and gas lines.

Applications on aftercoolers, separators and compressed air and gas mains.

An air balance pipe must be fitted allowing the air trapped in the trap body to escape, avoiding obstructing of condensate flow.

Connections are flanged or female screwed.



MAIN FEATURES

Modulating discharge.

Unaffected by sudden or wide load and pressure changes.

OPTIONS: Internal strainer (only on horizontal models).
Equalizing and drain plug on body.
Lifting lever.

USE: Compressed air and non corrosive gas compatible with the construction.

AVAILABLE MODELS:

FA 32-21, FA32-32.

SIZES:

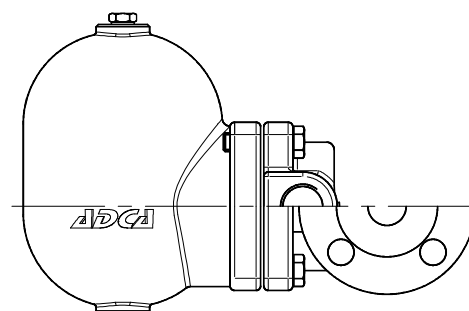
DN 1" - DN 25.

CONNECTIONS:

Female screwed ISO 7/1Rp(BS21)
Flanged EN 1092-1 PN40 or ANSI.
Special flanges upon request.

INSTALLATION

Horizontal or vertical installation.



BODY LIMITING CONDITIONS		
FLANGED PN40 / ANSI 300*	FLANGED ANSI 150 **	RELATED TEMP.
ALLOW. PRES.	ALLOW. PRES.	
37,1 bar	15,4 bar	100 °C
33,3 bar	13,8 bar	200 °C
30,4 bar	12,1 bar	250 °C
27,6 bar	10,2 bar	300 °C

PMO - Max. operating pressure 32 bar

TMO - Max. operating temperature 200 °C

* According to EN1092-1:2007 ; ** Acc. to EN1759-1:2004

Body limiting conditions PN40 or below, depending on the type of connection adopted. Rating PN40 for thread, SW and BW.

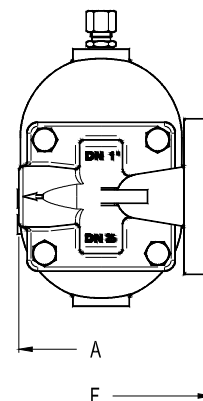
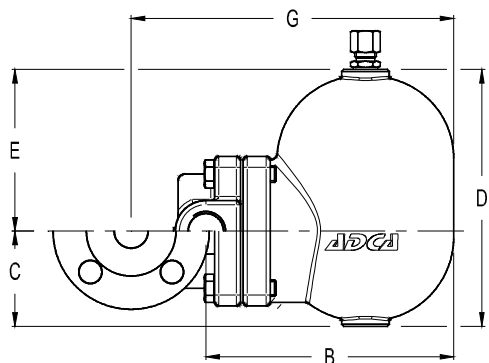
APPLICATION LIMITS	
Min. Liquid specific weight	0,75 Kg/dm ³
Maximum working dif. pressure-FA32-21	21 bar
Maximum working dif. pressure-FA32-32	32 bar

CE MARKING (PED - European Directive 97/23/EC)	
PN 40	Category
DN25 - DN1"	1 (CE Marked)

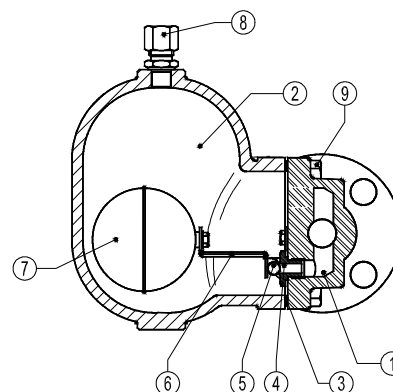
FLOW RATE CAPACITY IN Kgs/h																
MODEL	SIZE	DIFFERENTIAL PRESSURE (bar)														
		1	1,5	2	3	4,5	6	7	8	9	10	12	14	16	21	32
FA32-21	1" - 25	410	500	600	710	900	1005	1100	1150	1200	1350	1550	1640	1700	1850	
FA32-32	1" - 25	240	280	335	400	500	590	610	690	700	745	850	900	920	1100	1380

DIMENSIONS (mm)																								
Screwed							EN PN 16 / 40			EN PN 16 / 40 *			ANSI 150			ANSI 150 *			ANSI 300			ANSI 300 *		
SIZE DN	A	B	C	D	E	WT. Kgs	F	G	WT. Kgs	F	B	WT. Kgs	F	G	WT. Kgs	F	B	WT. Kgs	F	G	WT. Kgs	F	B	WT. Kgs
25-1"	120	195	80	190	110	9	160	248	11,3	230	195	12	160	248	11	230	195	11,2	160	248	11,3	230	195	12,8

* Alternative



MATERIALS		
POS.Nr.	DESIGNATION	MATERIAL
1	Body	GP240GH / 1.0619
2	Cover	GP240GH / 1.0619
3	*Gasket	Stainless st. / Graphite
4	*Seat	AISI 410 / 1.4006
5	*Valve	AISI 410 / 1.4006
6	*Lever	AISI 304 / 1.4301
7	*Float	AISI 304 / 1.4301
8	**Compression fitting	St. Steel or Steel Fe / Zn
9	Bolts	Steel 8.8



* Available spare parts. ** Optional

