

CAST IRON PIPELINE Y STRAINERS IS16F

DESCRIPTION

IS16F Y cast iron strainers are applicable to all types of steam, water, oil and air systems.

Their purpose is to protect traps, regulating valves, piping, etc. from dirt which are often times the cause of damage and consequently energy loss of fluid systems.

Connections are flanged.

OPTIONS: Different screen aperture sizes
Drain plug or drain valve in strainer cap

USE: Saturated steam, water, oil, air and other compatible fluids.

AVAILABLE MODELS: IS16F

SIZES: DN 15 to DN 300

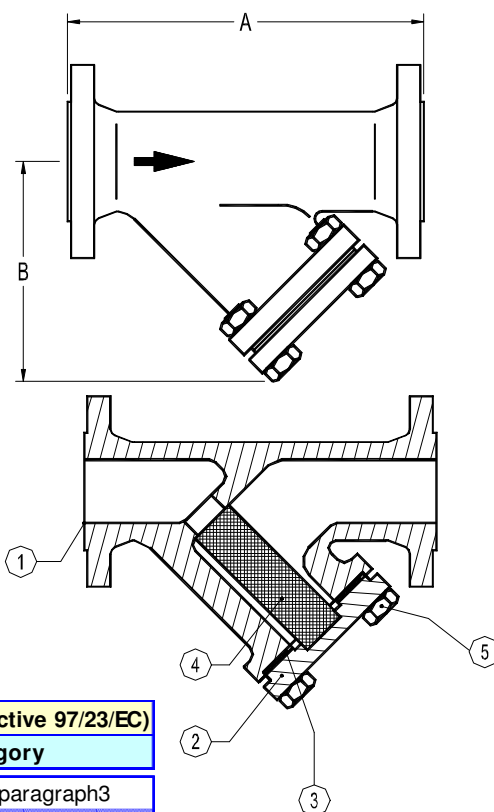
SCREENS: 0,5 mm aperture up to DN50
1,2 mm aperture from DN 65 to DN 300

CONNECTIONS: Flanged EN 1092-2 PN16

INSTALLATION: Horizontal or vertical downstream installation.
See IMI, installation and maintenance instructions.



DIMENSIONS (mm)			
SIZE DN	A	B	WGT. Kgs
15	130	75	2,4
20	150	75	3
25	160	90	3,8
32	180	90	5,2
40	200	110	6,8
50	230	120	9
65	290	140	11,8
80	310	165	16,8
100	350	220	25,2
125	400	260	37
150	480	300	58
200	600	360	112
250	730	470	162
300	850	560	195



LIMITING CONDITIONS IS16F	
ALLOWABLE PRESSURES	RELATED TEMPERATURE
16 bar	-10 / 120° C
12,8 bar	200 °C
11,2 bar	250 °C
9,6 bar	300 °C

MATERIALS		
POS. Nr.	DESIGNATION	MATERIAL
1	Body	GJL-250 / 0.6025
2	Cap	GJL-250 / 0.6025
3	* Gasket	St.Steel / Graphite
4	* Strainer screen	AISI304 / 1.4301
5	Bolts	Steel 8.8

* Available spare parts

CE MARKING (PED - European Directive 97/23/EC)	
PN 16	Category
DN15 to DN50	SEP - art. 3, paragraph3
DN65 to DN200	1 (CE Marked)
DN250 to DN300	2 (CE Marked)