

**“ADCATROL” PNEUMATIC CONTROL VALVES
PPV16 – ON-OFF
(V16 globe valves series with linear piston actuators PPI series)**

DESCRIPTION

The PPV16 on-off valves are single seated, two-way body constructed with in-line straight connections. The PPI pneumatic actuators are of the piston type. Their wide application ranges allows the use of this valve with the most common process fluids such as water, superheated water, steam, air, gas and other fluids.

MAIN FEATURES

Single seated, two ways, direct or reverse action valve.
Soft sealing as standard.
Actuator housing 360° rotation (clockwise).



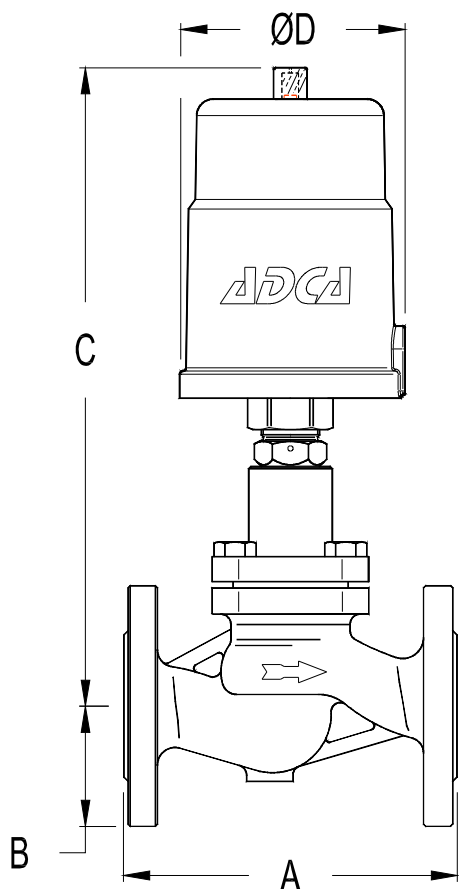
- OPTIONS:** Air filter regulator
Stainless steel construction.
Normally open and double effect version.
Limit switch
Pilot solenoid valve
- USE:** Saturated and superheated steam.
Hot and superheated water.
Air, gases and other noncorrosive fluids.
- AVAILABLE MODELS:** PPV16G - Nodular iron
PPV16I - Stainless steel
- VALVE SIZES:** DN15 to DN50
- CONNECTIONS:** Flanged EN1092-2 PN16 (PPV16G)
Flanged EN1092-1 PN16 (PPV16I)
- ACTUATORS:** PPI-63 , PPI-90 (Stainless steel)
- ACTUATOR CONNECTION:** G1/8" - G1/4"

VALVE BODY LIMITING CONDITIONS			
PPV16G		PPV16I	
Press.	Temp.	Press.	Temp.
16 bar	-10 / 120°C	16 bar	-10 / 100°C
15,5 bar	150°C	14,5 bar	150°C
14,7 bar	200°C	13,4 bar	200°C
13,9 bar	250°C	12,7 bar	250°C
12,8 bar	300°C	11,8 bar	300°C

- MAX. AIR SUPPLY PRESSURE:** 8 bar
- AMBIENT TEMPERATURE:** -20°C ...+70°C
- BONNET :** From -5°C to +220°C (standard)
- STEM SEALING:** PTFE/GR V-Rings - up to 220°C (Standard bonnet)
- PLUG DESIGN:** PT - On-off
- PORT:** Full port

FLOW RATE COEFFICIENTS						
	SIZES					
	DN15	DN20	DN25	DN32	DN40	DN50
Kvs	5,2	7,3	11,7	18	27	43

CE MARKING (PED - European Directive 97/23/EC)	
PN 16	Category
DN15 to DN50	SEP - art. 3, paragraph3



MAX. PERMISSIBLE PRESS.DROP IN bar
 Normally closed valve (fluid to open)
 Reverse action actuator (air signal to open)

ACT. Type	AIR PRESSURE	SIZES					
		DN15	DN20	DN25	DN32	DN40	DN50
PPI-63	5 - 8 bar	18	18	8	4	3	-
PPI-90	5 - 8 bar	-	-	24	18	13	9

Note: Waterhammer free design.

MAX. PERMISSIBLE PRESS.DROP IN bar
 Normally closed valve (fluid to close)
 Reverse action actuator (air signal to open)

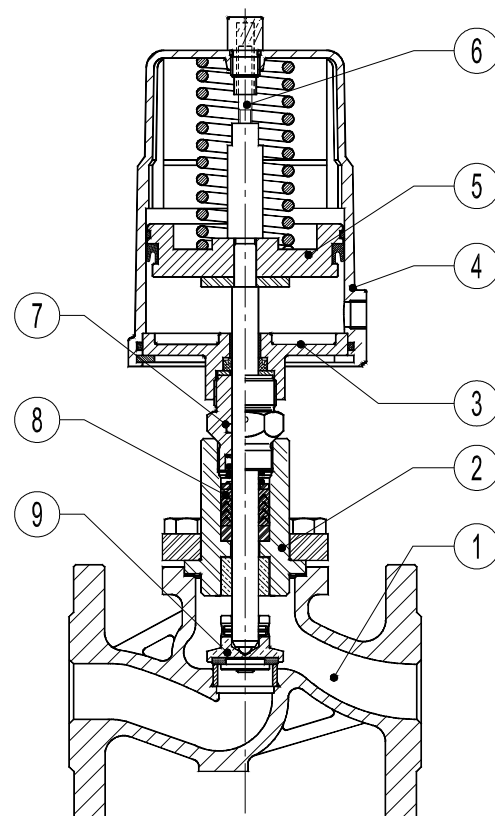
ACT. Type	AIR PRESSURE	SIZES					
		DN15	DN20	DN25	DN32	DN40	DN50
PPI-63	5 - 8 bar	16	16	16	-	-	-
PPI-63	6 - 8 bar	16	16	16	16	-	-
PPI-63	7 - 8 bar	16	16	16	16	16	10
PPI-90	5 - 8 bar	-	-	-	16	-	-
PPI-90	6 - 8 bar	-	-	-	16	16	-
PPI-90	7 - 8 bar	-	-	-	16	16	16

Note: not recommended when controlling liquids at high speed doing to waterhammer occurrence.

DIMENSIONS (mm)								
DN	A	B	Actuator PPI-63		Actuator PPI-90		WHT. Kgs w/PPI63	WHT. Kgs w/PPI90
			C	Ø D	C	Ø D		
15	130	48	250	75	300	110	3,7	5,2
20	150	53	250	75	300	110	4,5	6
25	160	58	255	75	305	110	5,5	7
32	180	70	260	75	310	110	7	8,5
40	200	75	265	75	315	110	9,7	11,2
50	230	83	270	75	320	110	11,7	13,2

MATERIALS			
POS.	DESIGNATION	MATERIAL PPV16G	MATERIAL PPV16I
1	Valve Body	GJS-400-18-LT / 0.7043	CF8M / 1.4408
2	Bonnet	CF8 / 1.4308	CF8 / 1.4308
3	Actuator Flange	CF8 / 1.4308	CF8 / 1.4308
4	Actuator Cover	CF8 / 1.4308	CF8 / 1.4308
5	Piston	Aluminium	Aluminium
6	Indication Stem	Plastic	Plastic
7	Gland Nut	AISI 316 / 1.4401	AISI 316 / 1.4401
8	* Packing	PTFE / GR	PTFE / GR
9	* Valve Plug	1.4401 / PTFE-GR	1.4401 / PTFE-GR

* Available spare parts





ORDERING CODES PPV16

VALVE CODES		PPV					.X.		
Group Designation									
Pneumatic on-off valve		PPV							
Valve Model									
Two way straight design,nodular iron construction			.16G						
Two way straight design,stainless steel construction			.16I						
Valve Plug									
Soft (PTFE/GR) PT Type				1					
Pipe Connection									
Flanged EN1092 PN16					L				
Size									
DN 15						15			
DN 20						20			
...									
Fluid Direction									
Normally closed valve,fluid enter above the seat							A		
Normally closed valve,fluid enter below the seat							B		
Actuator								(1)	
Extras (3)									E

ACTUATOR CODES (pneumatic)		PI.				
Group Designation						
Piston linear actuator		PI.				
Actuator Size						
Piston pneumatic actuator PPI 63			.63			
Piston pneumatic actuator PPI 90			.90			
Actuator Type						
Direct action (air to close)				.D		
Reverse action (air to open)				.R		
Actuator Construction						
Stainless steel					(2)	

→ To be introduced on ".X.", if supplied in combination with the valve.

- (1)- Indicate actuator type.
- (2)- Omitted if the standard actuator is selected.
- (3)- To be used only when a non-standard combination valve is supplied