

**“ADCATROL” PNEUMATIC CONTROL VALVES
PV253G
(V253G globe valves series with linear actuators PA series)**

DESCRIPTION

The PV253G control valves are three-way valve body both for mixing service or diverting service. The PA pneumatic actuator is rubber diaphragm and multi-springs. Its action can be DA -direct action (air to close) or RA-reverse action (air to open). The PV253G valves have been designed to assure an accurate control in any process condition. Their wide application ranges allows the use of this valve with the most common process fluids such as water, superheated water, diathermic oil, steam, air, gas and other non corrosive fluids.

MAIN FEATURES

Mixing or diverting purpose control valve.
Standard packing or bellows sealed stem sealing.

- OPTIONS:** Soft sealing
 Position transmitter 4-20 mA
 Pneumatic or electropneumatic positioner.
 Air filter regulator
 Top-work manual handwheel
- USE:** Hot and superheated water
 Diathermic oil
 Saturated and superheated steam
 Air, gases and other noncorrosive fluids.

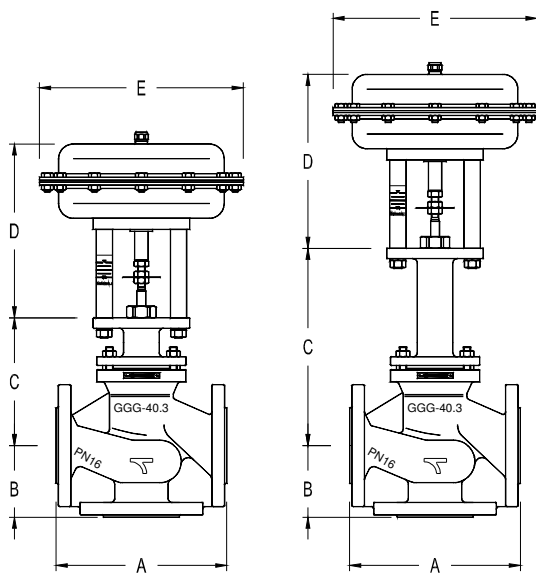
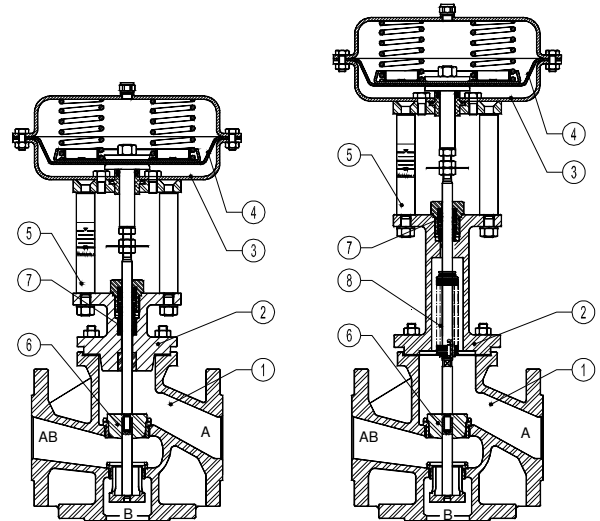
- AVAILABLE MODELS:** PV253G
- PLUG TYPES:** Linear (PL)
- PORT:** Full port
- STEM SEALING:** PTFE/GR V-Rings – up to 220°C
 (Bonnet)
- STEM SEALING:** Bellows sealed (extended bonnet)
- VALVE SIZES:** DN15 to DN150
- CONNECTIONS:** Flanged EN 1092-2
- PNEUMATIC ACTUATORS:** PA series
- ACTUATOR CONNECTIONS:** 1/4" NPT-F
- MAX. AIR SUPPLY:** 3,5 bar
- CONTROL SIGNAL:** 0,2– 1bar ; 0,4– 1,2bar ; 0,4 – 2bar.
- AMBIENT TEMP.:** -20°C ... +70°C
- ELECTRIC ACTUATORS:** Please consult IS EL20.00 E



V253G LIMITING CONDITIONS PN16 - PN25					
V - Rings Packing			Bellows Sealed		
ALLOWABLE PRESSURES		RELATED TEMP.	ALLOWABLE PRESSURES		RELATED TEMP.
PN 16	PN 25		PN 16	PN 25	
16bar	25bar	-10 ^o -120 ^o C	16bar	25bar	-10 ^o -120 ^o C
15,5bar	24,3bar	150 °C	15,5bar	24,3bar	150°C
14,7bar	23bar	200°C	14,7bar	23bar	200°C
14,3bar	22,5bar	220°C	13,9bar	21,8bar	250°C
/	/	/	12,8bar	20bar	300°C
/	/	/	11,2bar	17,5bar	350°C

CE MARKING (PED - European Directive 97/23/EC)		
PN 16	PN 25	Category
DN15 to DN50	DN15 to DN40	SEP - art. 3, paragraph3
DN65 to DN150	DN50 to DN125	1 (CE Marked)
/	DN150	2(CE Marked)

HOW TO SELECT: Never size the valve according to the pipe diameter in which it has to be fitted, but according to the required actual flow. Refer to valve calculation data sheet or consult the factory.


V-Rings Packing valve
Bellow sealing valve


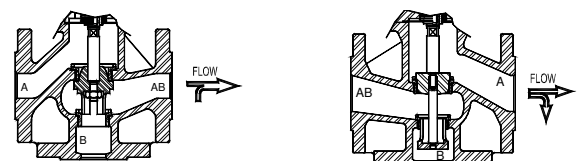
DIMENSIONS - VALVE BODY						
DN	A mm	B mm	BONNET			
			Std.Packing		Bellow	Bellow
			C mm	Wgt. Kgs	C mm	Wgt. Kgs
15	130	65	145	8	320	10
20	150	70	160	9	335	11
25	160	75	155	10	326	11,5
32	180	80	160	12,5	335	14,5
40	200	90	165	14	338	16
50	230	100	167	16	340	19
65	290	120	210	32	470	36
80	310	130	212	36	472	40
100	350	150	220	51	478	54
125	400	200	373	107	583	95
150	480	210	388	130	603	125

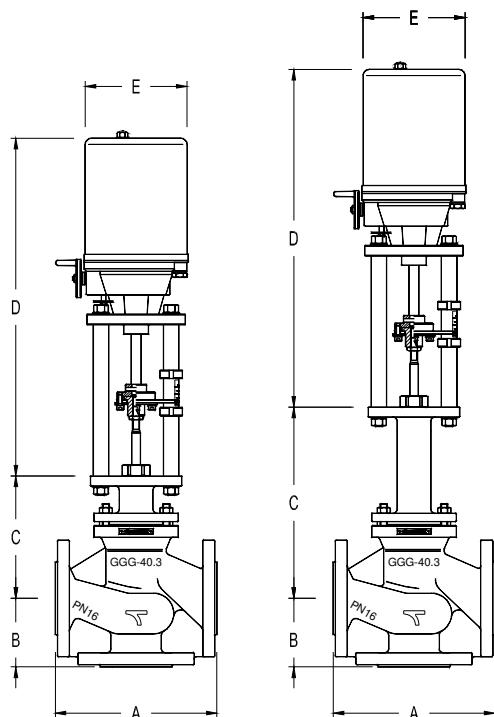
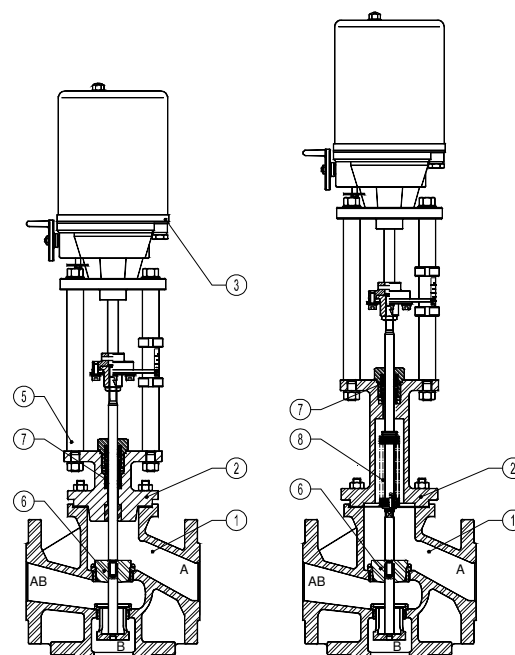
MATERIALS		
POS.	DESIGNATION	MATERIAL
1	Valve Body	GJS-400-18-LT / 0.7043
2	Bonnet	GJS-400-18-LT / 0.7043
3	Actuator (Steel)	S235JRG2 / 1.0038
	Actuator (Stainless steel)	AISI304 / 1.4301
4	Diaphragm	NBR 70
5	Yoke (Steel)	C45E / 1.1191
	Yoke (Stainless steel)	AISI304 / 1.4301
6	Valve Seal	AISI316 / 1.4401
7	Safety Packing	PTFE/GR
8	Bellows	St. Steel

DIMENSIONS - PNEUMATIC ACTUATOR				
Type	ø E (mm)	D (mm)		WEIGHT Kgs
		DN15-100	DA/RA	
PA-205	210	235	6	
PA-280	275	240	8,5	
PA-340	335	265	14,5	
PA-435	430	295	23	

FAILURE POSITION DEPENDING ON VALVE DUTY			
Mixing valve		Diverting valve	
Dir. Action Actuator a)	Rev.Action Actuator b)	Dir. Action Actuator a)	Rev.Action Actuator b)
Port A to AB Closes	Port B to AB Closes	Port AB to B Closes	Port AB to A Closes

a) Retracted stem on air failure
b) Extended stem on air failure


Mixing valve
Diverting valve


V-Rings Packing valve
Bellow sealing valve


DIMENSIONS - VALVE BODY						
DN	A mm	B mm	BONNET			
			Std.Packing		Bellow	Bellow
			C mm	Wgt. Kgs	C mm	Wgt. Kgs
15	130	65	145	8	320	10
20	150	70	160	9	335	11
25	160	75	155	10	326	11,5
32	180	80	160	12,5	335	14,5
40	200	90	165	14	338	16
50	230	100	167	16	340	19
65	290	120	210	32	470	36
80	310	130	212	36	472	40
100	350	150	220	51	478	54
125	400	200	373	107	583	95
150	480	210	388	130	603	125

MATERIALS		
POS.	DESIGNATION	MATERIAL
1	Valve Body	GJS-400-18-LT / 0.7043
2	Bonnet	GJS-400-18-LT / 0.7043
3	Actuator (Steel)	S235JRG2 / 1.0038
	Actuator (Stainless steel)	AISI304 / 1.4301
4	Diaphragm	NBR 70
5	Yoke (Seel)	C45E / 1.1191
	Yoke (Stainless steel)	AISI304 / 1.4301
6	Valve Seal	AISI316 / 1.4401
7	Safety Packing	PTFE/GR
8	Bellows	St. Steel

DIMENSIONS - ELECTRIC ACTUATOR			
Type	ø E mm	D mm	WEIGHT Kgs
EL-12	130	340	2,1
EL-20	145	458	8
EL-45	145	458	8
EL-80	188	517	13
EL-120	188	517	13



MAX. PERM.PRESS.DROP IN bar - Fluid to open -Reverse or direct action actuator										
ACTUATOR	CONTROL SIGNAL	SIZES								
		DN15	DN20	DN25	DN32	DN40	DN50	DN65	DN80	DN100
PA-205	0,2 ÷ 1 bar	6	6	5	—	—	—	—	—	—
	0,4 ÷ 1,2 bar	10	10	7	—	—	—	—	—	—
	0,4 ÷ 2 bar	12	12	9	—	—	—	—	—	—
PA-280	0,2 ÷ 1 bar	28	26	16	8	6	3,5	—	—	—
	0,4 ÷ 1,2 bar	40	38	20	12	10	5	—	—	—
	0,4 ÷ 2 bar	50	45	25	16	12	6,5	—	—	—
PA-340A	0,2 ÷ 1 bar	60	60	50	20	12	10	—	—	—
	0,4 ÷ 1,2 bar	80	80	60	30	16	13	—	—	—
	0,4 ÷ 2 bar	100	100	80	40	20	18	—	—	—
PA-340B	0,2 ÷ 1 bar	—	—	—	—	—	—	4	2,5	1
	0,4 ÷ 1,2 bar	—	—	—	—	—	—	5	3,5	1,5
	0,4 ÷ 2 bar	—	—	—	—	—	—	6	4	2
PA435A	0,2 ÷ 1 bar	—	—	—	—	40	25	—	—	—
	0,4 ÷ 1,2 bar	—	—	—	—	48	30	—	—	—
	0,4 ÷ 2 bar	—	—	—	—	55	45	—	—	—
PA435B	0,2 ÷ 1 bar	—	—	—	—	—	—	6	5	3
	0,4 ÷ 1,2 bar	—	—	—	—	—	—	8	7	5
	0,4 ÷ 2 bar	—	—	—	—	—	—	10	8	6

* For valve size DN125 and above please consult.

The pressure drop values are referred to closed valves. They have been verified by a control signal coming from an electro-pneumatic converter with an enduring minimum signal of 0,2 bar.

The actuator press. drops given with closed valve for the actuator signal 0,4 - 2 bar are also valid for ON-OFF service with air supply at 2,5 bar. Special spring drops available on request.

The pressure drop values must be used within the body rating limits.

For electric actuator selection please consult catalogue IS EL.20.00 E or our technical department.

FLOW RATE COEFFICIENTS												
	SIZES											
	DN15	DN20	DN25	DN32	DN40	DN50	DN65	DN80	DN100	DN125	DN150	DN200
Kvs	4	6,3	10	16	25	40	63	100	160	230	330	-

Kvs in m³/h , see data sheet IS PV10.00 E ; For conversion Kvs = Cv(US) x 0,855

ACTUATOR STROKE IN mm												
	SIZES											
	DN15	DN20	DN25	DN32	DN40	DN50	DN65	DN80	DN100	DN125	DN150	DN200
Stroke	20	20	20	20	20	20	30	30	30	35	40	-



ORDERING CODES V253										
VALVE CODES				V	.23	G				.X.
Actuator Type (1)										
Pneumatic Actuator				P						
Electric Actuator				E						
Group Designation										
Globe valve, three way				V						
Valve Model										
GJS-400-18-LT body, stainless still trim					.23G					
Flow										
Mixing							M			
Diverting							D			
Stem Sealing										
PTFE/GR-V-Rings / Standard bonnet								1		
Virgin PTFE V-Rings / Standard bonnet								2		
Graphite / Standard bonnet								3		
Bellows								8		
Valve Plug										
PL (linear) - Soft (PTFE/GR)								6		
PL (linear) - Metal AISI316 / 1.4401								7		
Pipe Connection										
Flanged EN1092-2 PN16									L	
Flanged EN1092-2 PN25									M	
Size										
DN15										15
DN20										20
...										
Actuator										(1)
Extras (3)										E
ACTUATOR CODES (pneumatic)										
				P.						
Group Designation										
Multi-spring , pneumatic linear actuator				P.						
Actuator Size										
205								1		
280								3		
340 A - From DN15 to DN50								5		
340 B - From DN65 to DN100								6		
435 A - From DN15 to DN50								7		
435 B - From DN65 to DN100								8		
Actuator										
Direct Action									D	
Reverse Action									R	
Actuator Construction										
Steel construction (painted) - standard										(2)
Stainless steel construction										I
Control Signal										
0,2 - 1 bar (3/15 psi)										15
0,4 - 1,2 bar (6/18 psi)										18
0,4 - 2 bar (6/30 psi)										30

→ To be introduced on ".X.", if supplied in combination with the valve.
 Example:
 V253G mixing valve model PL metal plug, PTFE/GR stem sealing DN50 complete with reverse action actuator signal 0,4-1,2bar, size340A steel.

Code: PV.23G.M17L50.5R18

REMARKS:
 (1)- Indicate actuator type.
 (2)- Omitted if the standard actuator is selected.
 (3)- To be used only when a non-standard combination valve is supplied.
 ADCATROL control valves are identified by a serial number on a nameplate, located on the actuator yoke.
 Always order spares by using that serial number. If the valve has non-standard extras the serial number has also an E (extras).