

PNEUMATIC CONTROL VALVES PV25 (ANSI)

V25S globe control valves with linear actuators PA series

DESCRIPTION

The PV25 control valves are single seated, two-way body constructed with in-line straight connections. The PA pneumatic actuator is rubber diaphragm and multi-springs. Its action can be DA -direct action (air to close) or RA-reverse action (air to open). The PV25 valves have been designed to assure an accurate control in any process condition. Their wide application ranges allows the use of this valve with the most common process fluids such as water, superheated water, steam, air, gas and other non corrosive fluids (group 1).

MAIN FEATURES

Single seated, two way, direct or reverse action valve. Valve top flange permanently attached to the body, removal is unnecessary for replacing the actuator. Metal to metal sealing as standard.

- OPTIONS:**
- Position transmitter 4-20 mA
 - Pneumatic pilot positioner
 - Electropneumatic pilot positioner
 - Air filter regulator
 - Top-work manual handwheel
 - Stainless steel construction.
 - Soft sealing and stellite seat and plug.
- USE:**
- Saturated and superheated steam.
 - Hot and superheated water.
 - Air, gases and other noncorrosive fluids.

AVAILABLE MODELS: PV25S Cast steel

VALVE SIZES: 1/2" to 6"

CONNECTIONS: Flanged ANSI B16.5 150# and 300#

ACTUATORS: PA-205; PA-280; PA-340; PA-435
ACTUATOR CONN: 1/4" NPT-F

CONTROL SIGNAL: 0,2 - 1 bar ; 0,4 - 1,2 bar ; 0,4 - 2 bar.

HOW TO SELECT: Never size the valve according to the pipe diameter in which it has to be fitted but according to the required actual flow of steam or water. Refer to valve calculation data sheet or consult the factory.



- MAX. AIR SUPPLY PRESSURE:** 3,5 bar
- AMBIENT TEMPERATURE:** -20°C ...+70°C
- BONNET :** From -5°C to +220°C (standard)
 Finned for temperature >220°C
- STEM SEALING:** PTFE/GR V-Rings - up to 220°C (Standard bonnet)
 Graphite - up to 400°C (Finned bonnet)
 Stainless steel bellows
- PLUG CHARACT.:** EQP - Equal percentage
 PL - Linear
 PT - On-Off
- PLUG DESIGN :** Contoured
 V-ported
 Perforated (Low noise, anti-cavitation)
 Microflow
- PORT :** Full port or reduced on request
- COMPLEMENTARY INFORMATION :** See IS PV10.00 E

CE MARKING (PED - European Directive 97/23/EC)		
ANSI 150	ANSI 300	Category
1" - 2" (DN25-50)	1" (DN25)	SEP - art. 3, paragraph3
3"-6" (DN80-150)	1 1/2"-4" (DN40-100)	1 (CE Marked)
/	1 1/2"-6" (DN40-150)	2 (CE Marked)

Note: classification for gases - Group 2, for others see IMI

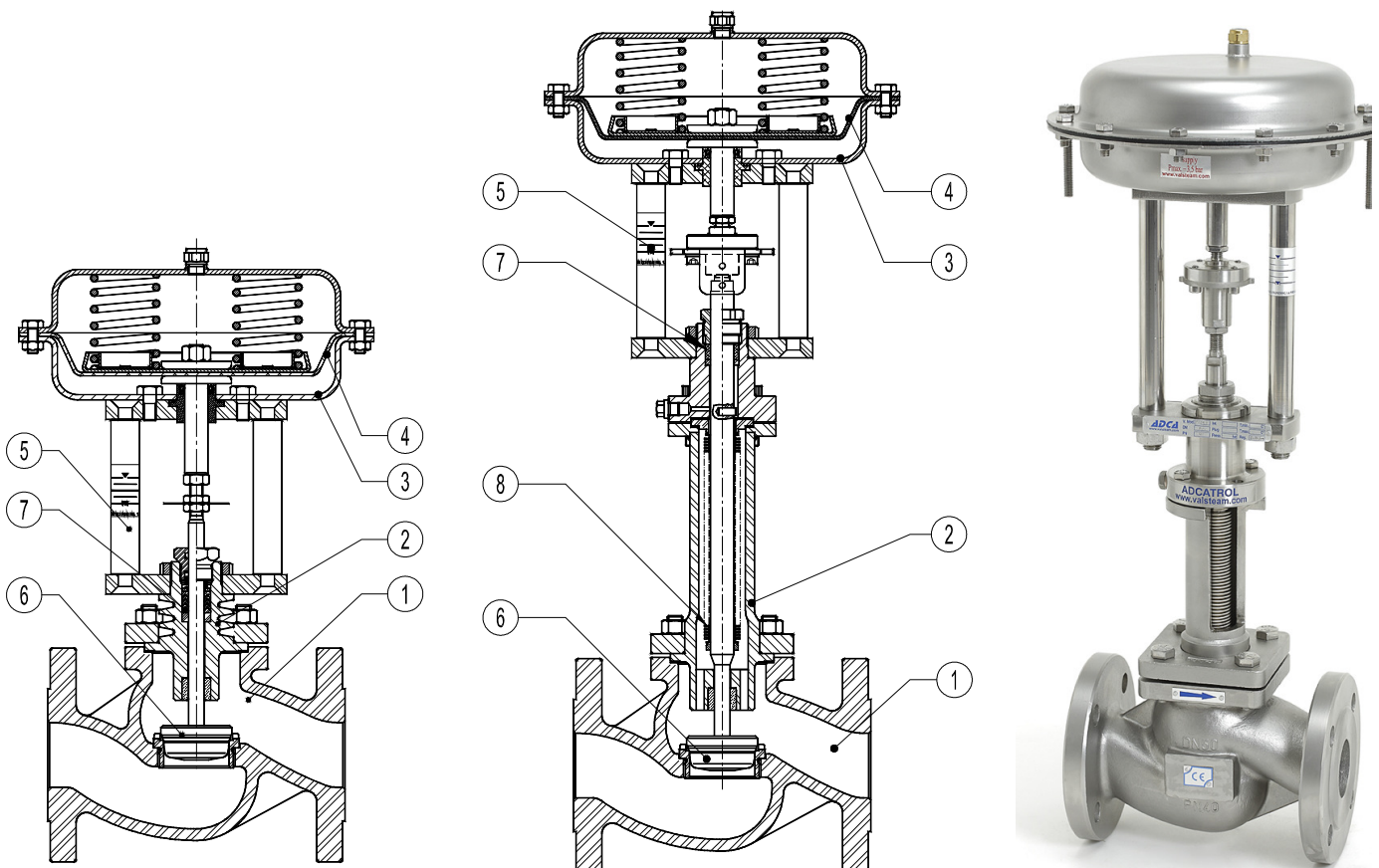
VALVE BODY LIMITING CONDITIONS

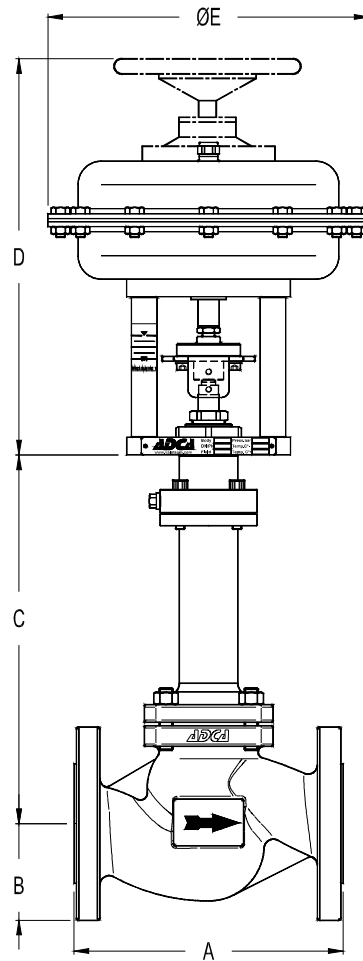
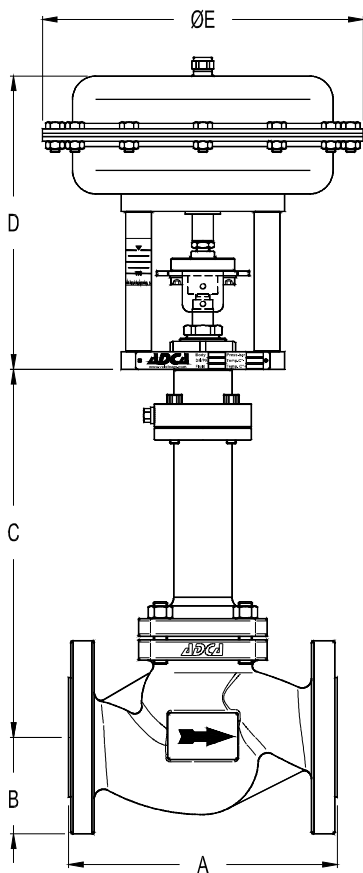
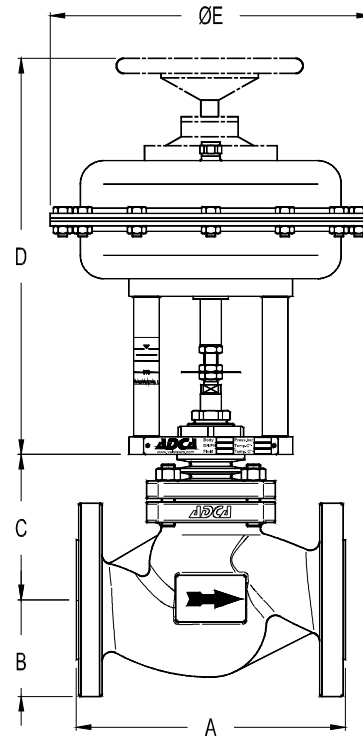
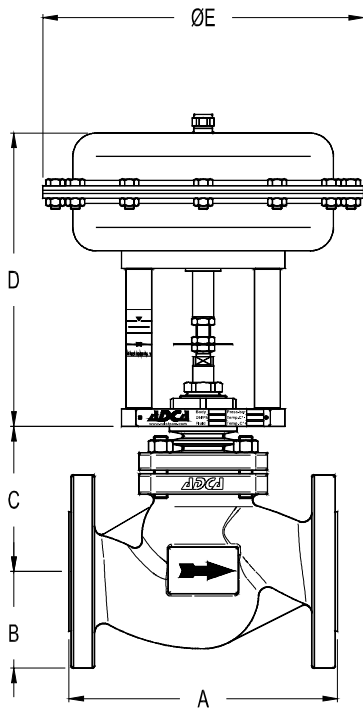
PV25S - ANSI 150		PV25S - ANSI 300	
ALLOWABLE PRESSURES	RELATED TEMP.	ALLOWABLE PRESSURES	RELATED TEMP.
19,3 bar	-10 /50° C	50 bar	-10 /50° C
15,8 bar	150 °C	43,9 bar	200 °C
12,1 bar	250 °C	36,9 bar	350 °C
8,4 bar	350 °C	34,6 bar	400 °C

MATERIALS

POS.	DESIGNATION	MATERIAL V25S
1	Valve Body	ASTM A216WCB / 1.0619 ; GP240GH / 1.0619
2	Bonnet	CF8 / 1.4308 **
3	Actuator (Steel)	S235JRG2 / 1.0038
	Actuator (Stainless steel)	AISI304 / 1.4301
4	*Diaphragm	NBR 70
5	Yoke (Steel)	C45E / 1.1191
	Yoke (Stainless steel)	AISI304 / 1.4301
6	*Valve plug	PTFE/GR ; St.Steel
7	*Standard packing	PTFE/GR
8	*Metal bellows	AISI316Ti / 1.4571

* Available spare parts **Except DN6", totally in cast steel.





DIMENSIONS (mm) - VALVE BODY

SIZE	A * ANSI 300	B ANSI 150	B ANSI 300	C			
				BONNET			
				STANDARD	FINNED	EXTENDED	BELLOWS
1/2"	190	44,5	47,5	85	150	150	290
3/4"	194	49	58,5	85	150	150	290
1"	197	54	62	90	170	170	295
1 1/2"	235	63,5	78	115	195	195	285
2"	267	76	82,5	125	215	215	285
3"	317	95	105	175	275	275	392
4"	368	114,5	127	190	310	310	400
6"	470	140	159	210	390	390	480

* ANSI 150 is drilled with the same length

DIMENSIONS - ACTUATOR



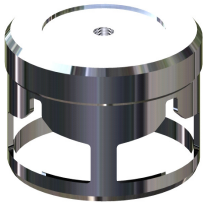
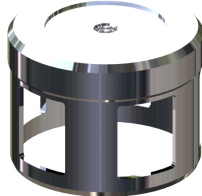
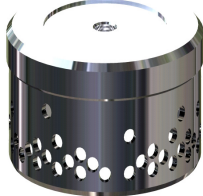


Type	ø E (mm)	D (mm)	WEIGHT Kgs
		DN15-100 DA/RA	
PA-205	210	235	5,7
PA-280	275	240	8,8
PA-340	335	265	14,3
PA-435	430	295	24,5

FLOW RATE COEFFICIENTS & VALVE STROKE

	SIZES										
	1/2"	3/4"	1"	1 1/4"	1 1/2"	2"	2 1/2"	3"	4"	6"	
Kvs (m3/h)	3,8	5,1	9,4	-	22,2	40,1	-	89,7	136,7	316,1	
Stroke (mm)	20	20	20	-	20	20	-	30	30	40	

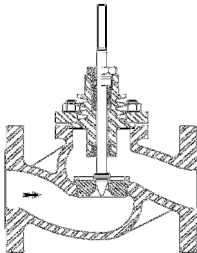
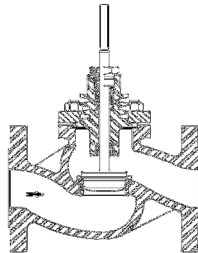
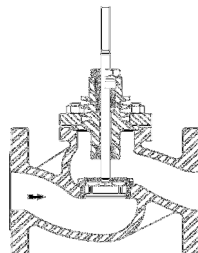
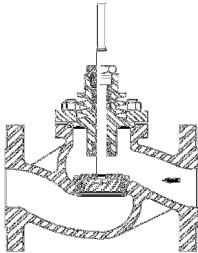
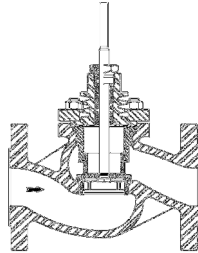
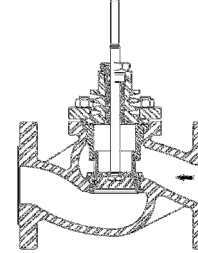
Kvs in m3/h , see data sheet IS PV10.00 E ; For conversion Kvs = Cv(US) x 0,855

PLUG DESIGN

Microflow Linear PL	Contoured % or Linear EQP - PL	Equal	V - Ported Equal percentage EQP	V - Ported Linear PL	Perforated Equal percentage EQP	Perforated Linear PL
						

V-Ported and perforated plugs are also available in balanced pressure version.

VALVE DESIGN - FLOW DIRECTION

Microflow Linear PL	Contoured Equal % or Linear EQP - PL	V - Ported EQP - PL	V - Ported Perforated EQP - PL	V-Ported Balanced EQP - PL	Perforated Balanced EQP - PL
					



MAX. PERM.PRESS.DROP IN bar - N.C.(fluid to open) -Reverse action actuator (air signal to open)								
ACTUATOR	CONTROL SIGNAL	SIZES						
		1/2"	3/4"	1"	1 1/2"	2"	3"	4"
PA-205	0,2 ÷ 1 bar	6	6	5	—	—	—	—
	0,4 ÷ 1,2 bar	10	10	7	—	—	—	—
	0,4 ÷ 2 bar	12	12	9	—	—	—	—
PA-280	0,2 ÷ 1 bar	28	26	16	6	3,5	—	—
	0,4 ÷ 1,2 bar	40	38	20	10	5	—	—
	0,4 ÷ 2 bar	50	45	25	12	6,5	—	—
PA-340A	0,2 ÷ 1 bar	60	60	50	12	10	—	—
	0,4 ÷ 1,2 bar	80	80	60	16	13	—	—
	0,4 ÷ 2 bar	100	100	80	20	18	—	—
PA-340B	0,2 ÷ 1 bar	—	—	—	—	—	2,5	1
	0,4 ÷ 1,2 bar	—	—	—	—	—	3,5	1,5
	0,4 ÷ 2 bar	—	—	—	—	—	4	2
PA435A	0,2 ÷ 1 bar	—	—	—	40	25	—	—
	0,4 ÷ 1,2 bar	—	—	—	48	30	—	—
	0,4 ÷ 2 bar	—	—	—	55	45	—	—
PA435B	0,2 ÷ 1 bar	—	—	—	—	—	5	3
	0,4 ÷ 1,2 bar	—	—	—	—	—	7	5
	0,4 ÷ 2 bar	—	—	—	—	—	8	6
	0,4 ÷ 2,5 bar	—	—	—	—	—	15	12

* For valve size DN 6" please consult .

The pressure drop values are referred to closed valves. They have been verified by a control signal coming from an electro-pneumatic converter with an enduring minimum signal of 0,2 bar.

The actuator press. drops given with closed valve for the actuator signal 0,4 - 2 bar are also valid for ON-OFF service with air supply at 2,5 bar. Special spring drops available on request.

The pressure drop values must be used within the body rating limits.

For electric actuator selection please consult catalogue IS EL.20.00 E or our technical department.

If higher differential pressures are required please consult PA45 pneumatic actuators catalogue.

MAX. PERM.PRESS.DROP IN bar - N.O.(fluid to open) -Direct action actuator (air signal to close)								
ACTUATOR	CONTROL SIGNAL	SIZES						
		1/2"	3/4"	1"	1 1/2"	2"	2"	4"
PA-205	0,2 ÷ 1 bar	16	16	12	—	—	—	—
	0,4 ÷ 2 bar	25	24	16	—	—	—	—
PA-280	0,2 ÷ 1 bar	—	—	19	8	4	—	—
	0,4 ÷ 2 bar	—	—	25	16	7	—	—
PA-340A	0,2 ÷ 1 bar	—	—	—	16	10	—	—
	0,4 ÷ 2 bar	—	—	—	26	25	—	—
PA-340B	0,2 ÷ 1 bar	—	—	—	—	—	3,5	1,5
	0,4 ÷ 2 bar	—	—	—	—	—	7	3
PA435B	0,2 ÷ 1 bar	—	—	—	—	—	5	3
	0,4 ÷ 2 bar	—	—	—	—	—	10	7,5

* For valve size DN 6" please consult.

The actuator pressure drops given with closed valve, are obtained with the following air pressures supply:

Actuator signal 0,2 to 1 bar :air supply 1,2 bar ; Actuator signal 0,4 to 2 bar : air supply 2,5 bar

The actuator press. drops given with closed valve for the actuator signal 0,4- 2 bar are also valid for ON-OFF service with air supply at 2,5 bar. Special spring drops available on request.

The pressure drop values must be used within the body rating limits.

For electric actuator selection please consult catalogue IS EL.20.00 E or our technical department.

